

Features

- System Board for HIMA, HIMAX
- For 32-channel card X-DI 3201 (DI)
- 32 plug-in positions
- Recommended module: HiC2821 (DI)
- 24 V DC supply voltage
- Hazardous area: cage clamp terminals, blue
- Safe area: HIMA system connector, cage clamp terminals

Function

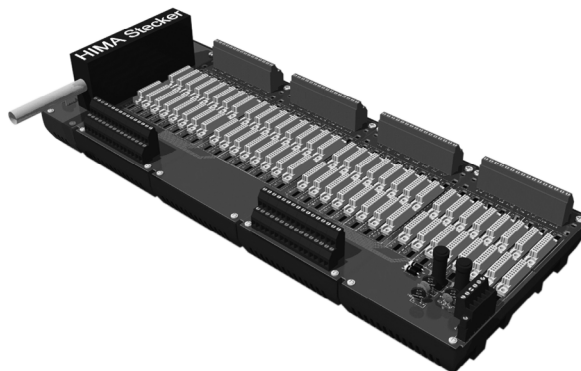
Termination Boards are made to carry isolated barriers and provide terminal connection for wiring. The termination board and the isolated barriers build the connection between field and system level.

System connectors are synchronized to the requirements of the I/O cards used in the particular automation system. They ensure fast and fail-safe connection.

Furthermore the termination board has a fault bus that is available at the redundant power supply terminals. The fault bus can be daisy chained in any order and monitored by the optional Fault Indication Board. Therefore faults are available to the control system as a potential-free contact.

Termination Boards are supplied with a rugged fiberglass reinforced plastic housing. This design permits a fast and reliable installation in the marshalling cabinet.

Assembly



Application

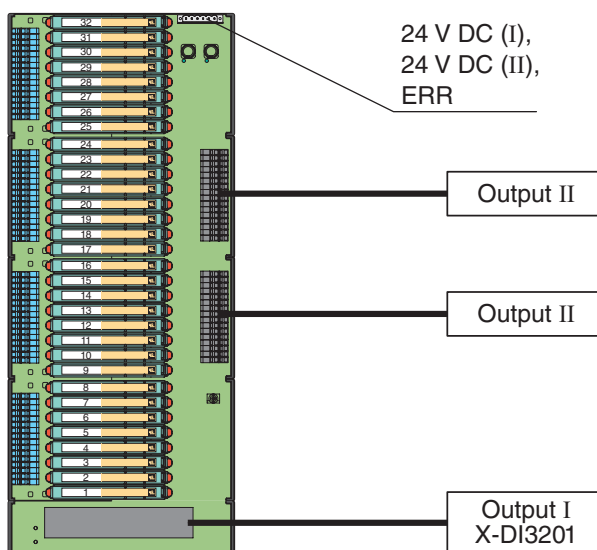
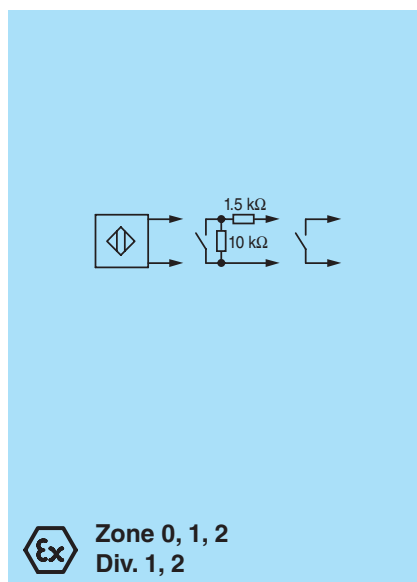
The function of the output on the Termination Board (terminals 12, 15) is determined by the switch position on the module.

Settings on the module:

- Error message
- Signal splitter function



Connection

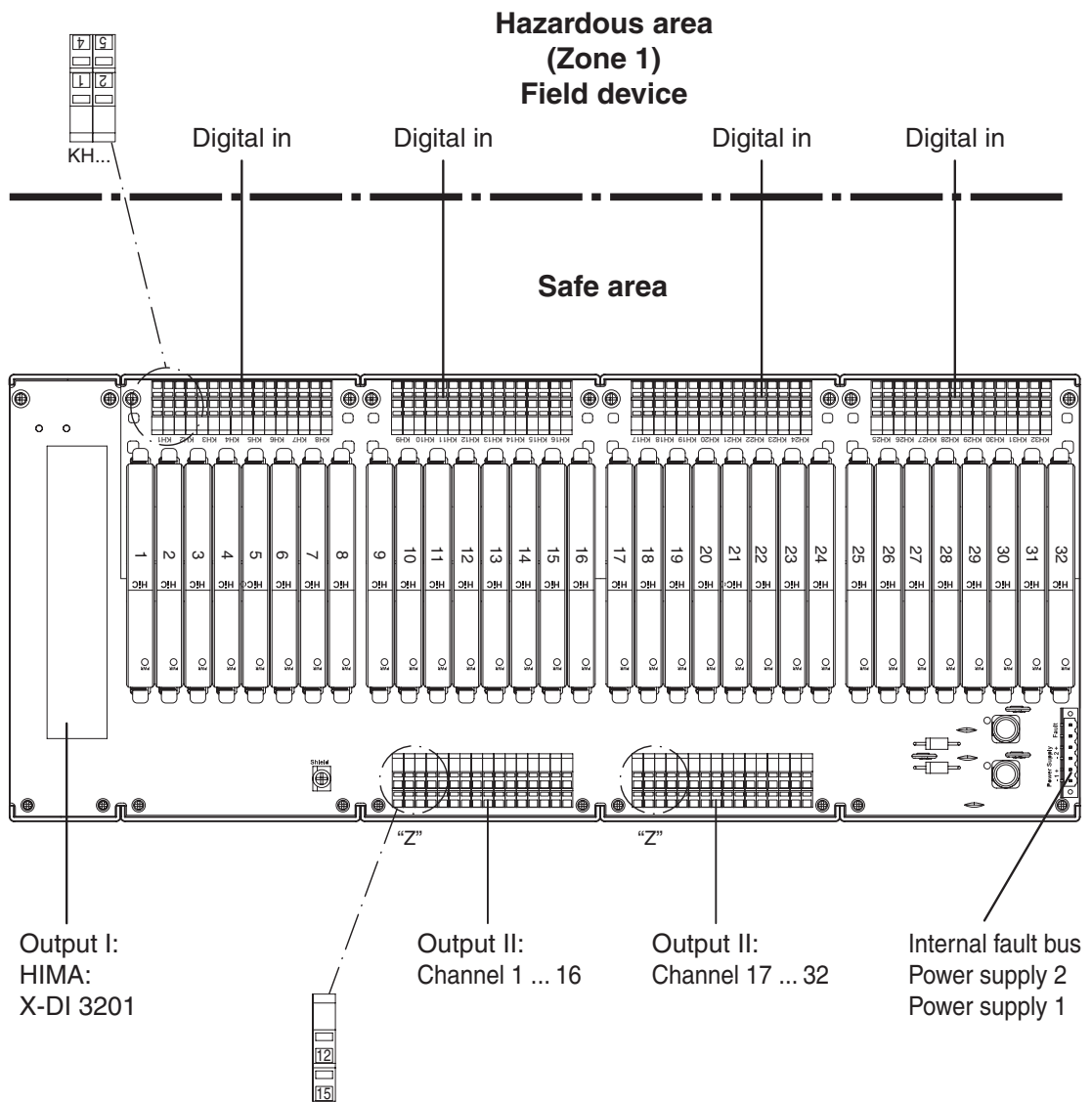


**Zone 2
Div. 2**

Release date 2009-07-23 10:04 Date of issue 2009-07-23 205652_ENG.xml

Supply	
Rated voltage	24 V DC , in consideration of rated voltage of used isolated barriers
Voltage drop	0.9 V , voltage drop across the series diode on the Termination Board must be considered
Ripple	≤ 10 %
Fusing	6.3 A , in each case for 32 modules
Power loss	≤ 500 mW , without module
Reverse polarity protection	yes
Redundancy	
Supply	Redundancy available. The supply for the modules is decoupled, monitored and fused.
Indicators/settings	
Display elements	LEDs PWR ON (power supply) - LED power supply I, green LED - LED power supply II, green LED
Conformity	
Electromagnetic compatibility	NE 21
Protection degree	IEC 60529
Ambient conditions	
Ambient temperature	-20 ... 60 °C (253 ... 333 K)
Storage temperature	-40 ... 70 °C (233 ... 343 K)
Mechanical specifications	
Protection degree	IP20
Connection	connection hazardous area (field side): cage clamp terminals, blue connection safe area (process side): output I HIMA system connector, output II cage clamp terminals
Material	housing: polycarbonate, 30 % fibre-glass reinforced
Mass	approx. 1600 g
Dimensions	482 x 200 x 163 mm (19 x 7.9 x 6.42 in) , height including module assembly
Mounting	DIN rail
General information	
Supplementary information	EC-Type Examination Certificate, Statement of Conformity, Declaration of Conformity and instructions have to be observed where applicable. For information see www.pepperl-fuchs.com .
Accessories	
Designation	optional accessories: - Fault Indication Board HiATB01-FAULT-01 - Label Carrier HiALC-...

Configuration



Release date 2009-07-23 10:04 Date of issue 2009-07-23 205652_ENG.xml